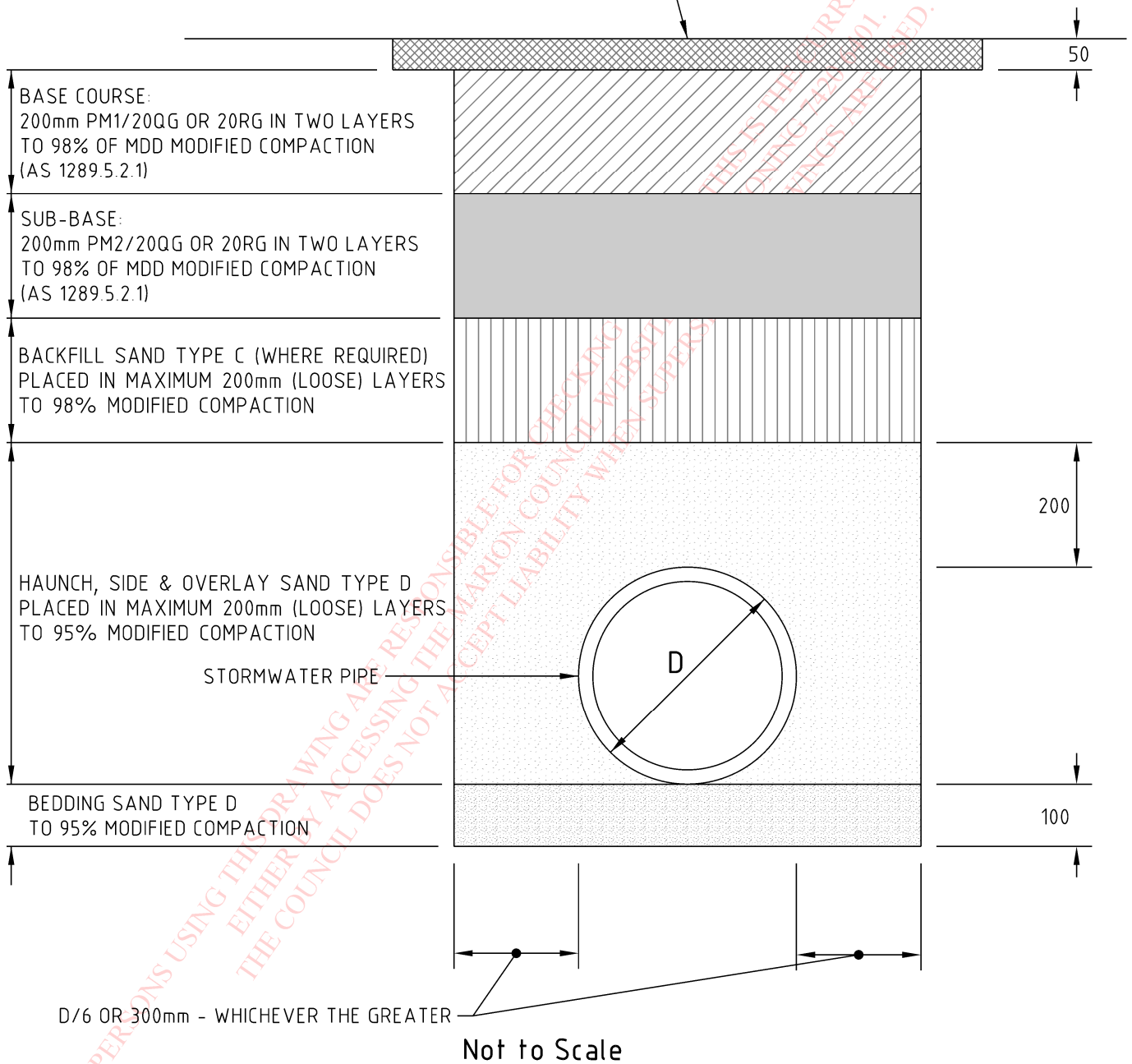


AC10 WEARING COURSE (MEDIUM DUTY MIX)



ALL DIMENSIONS ARE IN MILLIMETRES UNLESS OTHERWISE SHOWN.
BEDDING SAND TYPED D MUST BE 150mm THICK FOR PIPES DN1500 OR GREATER

THE CORPORATION OF THE CITY OF MARION

STORMWATER TRENCH REINSTATEMENT IN ROADS



Drawn : A.M.D

Date : 17 Sept. 2007

Approved :

Last Revised : 18 February 2025

Ref. No. : SD-17